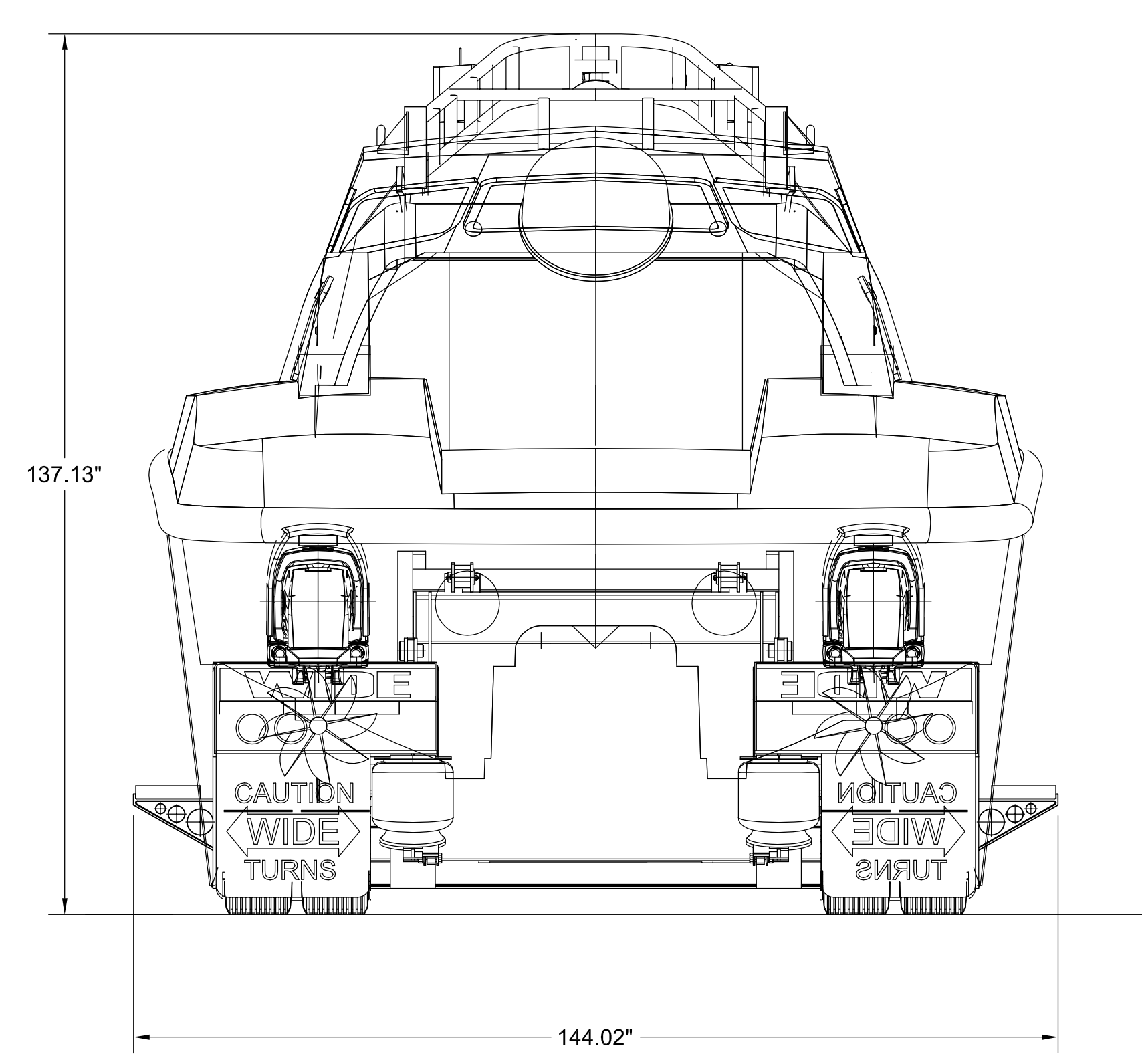
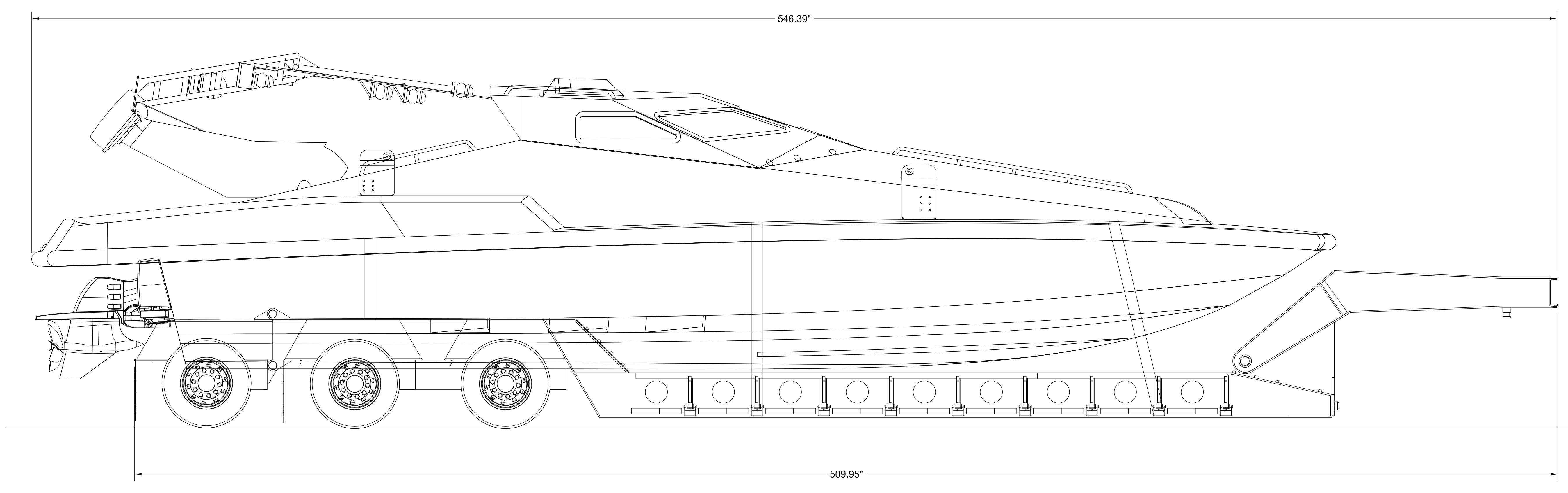


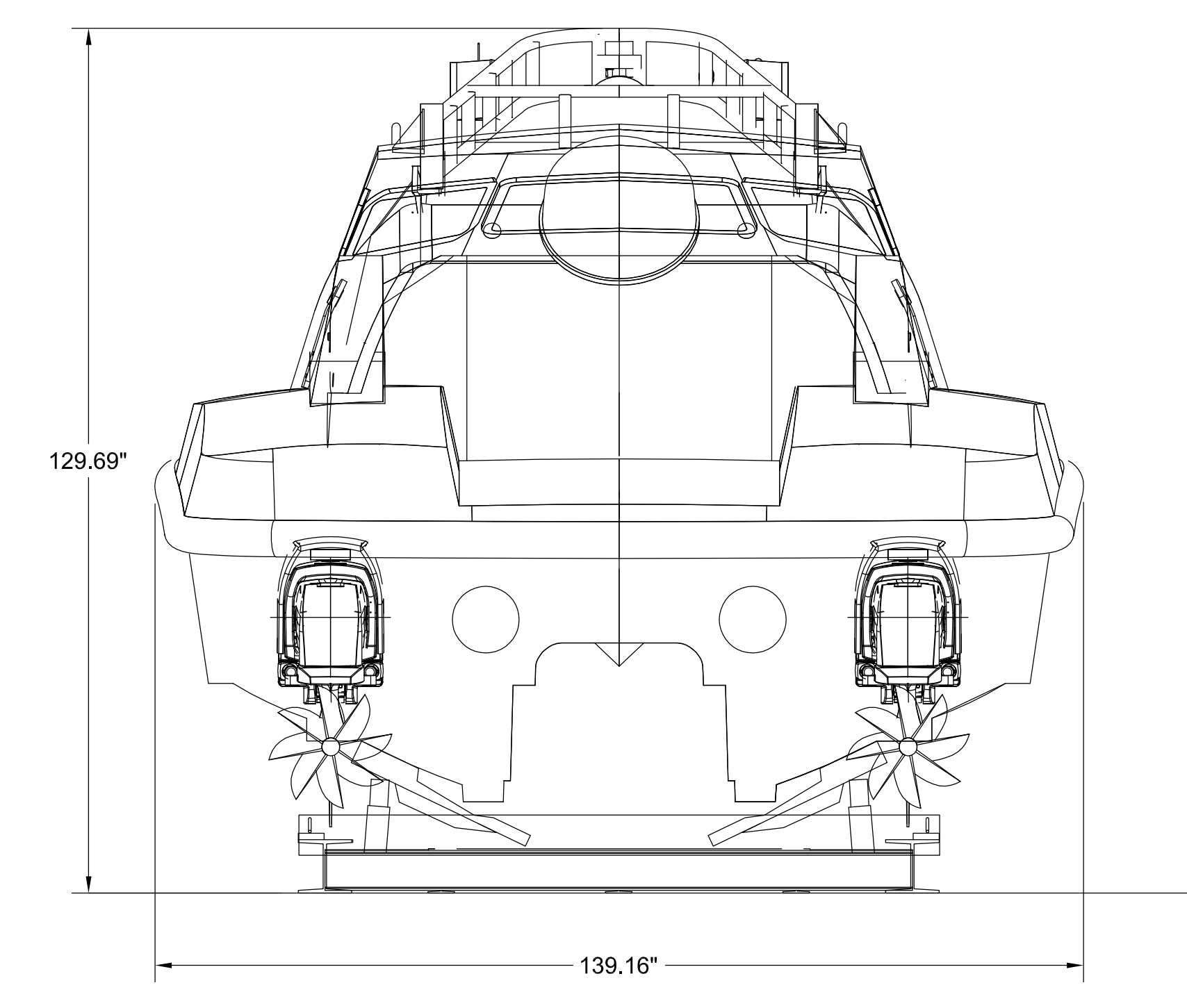
REVISIONS				
ZONE	LR	DESCRIPTION	DATE	APPROVED
ALL		INITIAL ISSUE	15/08/21	WJK



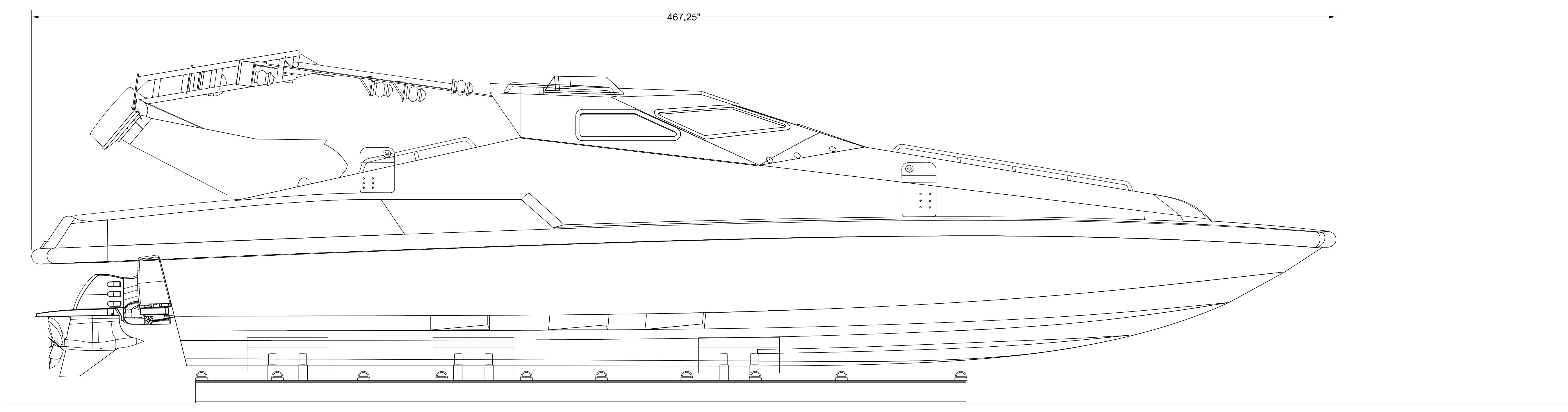
STERN VIEW 6-E
VESSEL ON TRAILER



PROFILE VIEW 3-E
VESSEL ON TRAILER



STERN VIEW 7-B
VESSEL ON CRADLE



PROFILE VIEW 3-B
VESSEL ON CRADLE

NON-PROPRIETARY DRAWINGS WILL HAVE A BLOCK WHICH STATES THAT THE DESIGN WILL BE TRANSFERRED TO THE DESIGNATED GOVERNMENT ACTIVITY (i.e. PANAMA CITY) UPON SUCCESSFUL COMPLETION AND ACCEPTANCE.

WARNING - THIS DOCUMENT CONTAINS EXPORT-CONTROLLED TECHNICAL DATA WHOSE EXPORT IS RESTRICTED BY THE ARMS EXPORT CONTROL ACT (TITLE 22, U.S.C., SEC. 2751, et. seq.) OR THE EXPORT ADMINISTRATION ACT OF 1979, AS AMENDED, TITLE 50 U.S.C., APP. 2401 et. seq. VIOLATIONS OF THESE EXPORT LAWS ARE SUBJECT TO SEVERE CRIMINAL PENALTIES. DISSEMINATE IN ACCORDANCE WITH PROVISIONS OF DOD DIRECTIVE 5230.22.

DISTRIBUTION STATEMENT "D" - DISTRIBUTION AUTHORIZED TO DOD AND U.S. DOD CONTRACTORS ONLY; ADMINISTRATIVE OR OPERATIONAL USE (08/2023). OTHER U.S. REQUESTS FOR THIS DOCUMENT SHALL BE REFERRED TO THE COMMANDING OFFICER, NAVAL SURFACE WARFARE CENTER PANAMA CITY DIVISION, PANAMA CITY, FL.

DESTRUCTION NOTICE - FOR UNCLASSIFIED LIMITED DOCUMENTS, DESTROY BY ANY METHOD THAT WILL PREVENT DISCLOSURE OF CONTENTS OR RECONSTRUCTION OF THE DOCUMENT.

CLASSIFICATION OF CHARACTERISTICS PER DOD-STD-2101	CRITICAL	NONE
	MAJOR	NONE

INTERPRET DRAWING PER ASME Y14.100	UNLESS OTHERWISE SPECIFIED DIMENSIONS ARE IN INCHES
TOLERANCES	ANGLES
FRACTIONS	DECIMALS
BROKEN EDGES	FILETS
PART SHALL BE FREE OF BURRS	SURFACE ROUGHNESS

PROJECT : INTERCEPT 35	TITLE
Drawn JWD	13-08-21
Engr/Design DC	13-08-23
Checked MAH	13-08-21
Approved WJK	13-08-23
APPROVED FOR NSWC PCD	DATE

DEPARTMENT OF THE NAVY	NAVAL SURFACE WARFARE CENTER PANAMA CITY DIVISION	PANAMA CITY, FLORIDA 32407-7001
TRANSPORTABILITY ARRANGEMENT		
SIZE	CASE CODE	DWG NO.
E	07070	1.1.1.103
SCALE : 1:20	UNIT WT. N/A	SHEET 1 OF 1

10	9	8	7	6	5	4	3	2	1

REVISION SHEET	REV STATUS OF SHEETS	NEXT ASSY APPLICATION	USED ON APPLICATION
----------------	----------------------	-----------------------	---------------------

